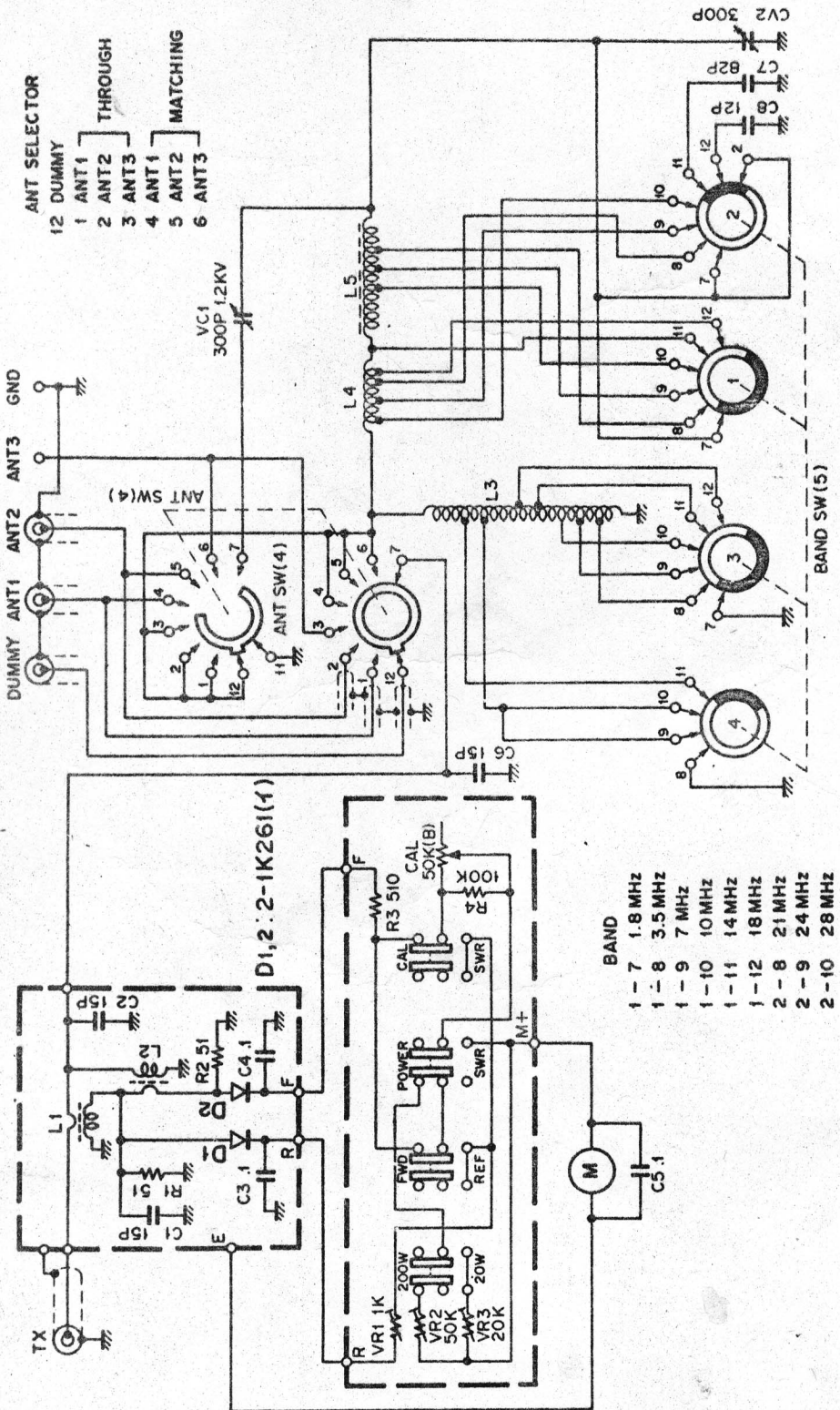


SCHEMATIC DIAGRAM

The circuit elements may be changed without to notice owing to technical innovation.



BAND	Frequency
1-7	1.8 MHz
1-8	3.5 MHz
1-9	7 MHz
1-10	10 MHz
1-11	14 MHz
1-12	18 MHz
2-8	21 MHz
2-9	24 MHz
2-10	28 MHz